

Clamshell # 54783

Clamshell typically used for cell phone/electronics.

- The two halves are hinged together with a domed display face on the front half.
- There is a hanger hole at the top.
- Overall dimensions are 9"L x 4.58"w x 1.875" d.
- Suggested material is 0.015" thick clear RPET.

Suggested Pricing:

5,000 units \$ XXXX each

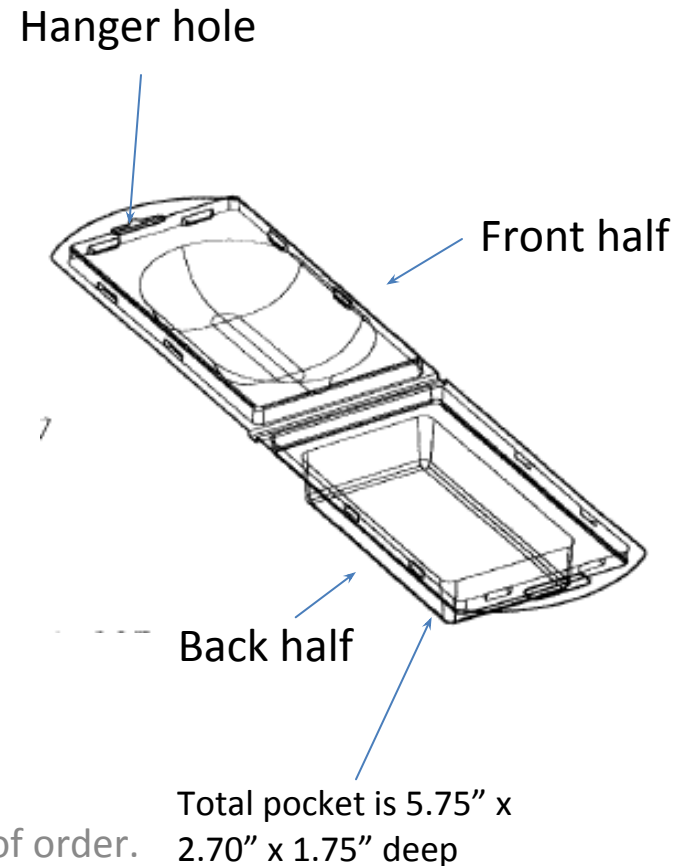
10,000 units \$ XXXX each

Pricing is subject to change, and must be confirmed at time of order.

Other quantities and material choices are available, such as clear food grade PET or clear PVC, as well as custom coloured materials.

Lead times are typically 3 -5 weeks, to be confirmed at time of order.

Prices are in Canadian funds, FOB our facility, all taxes and duties extra.



Clamshell # 54547

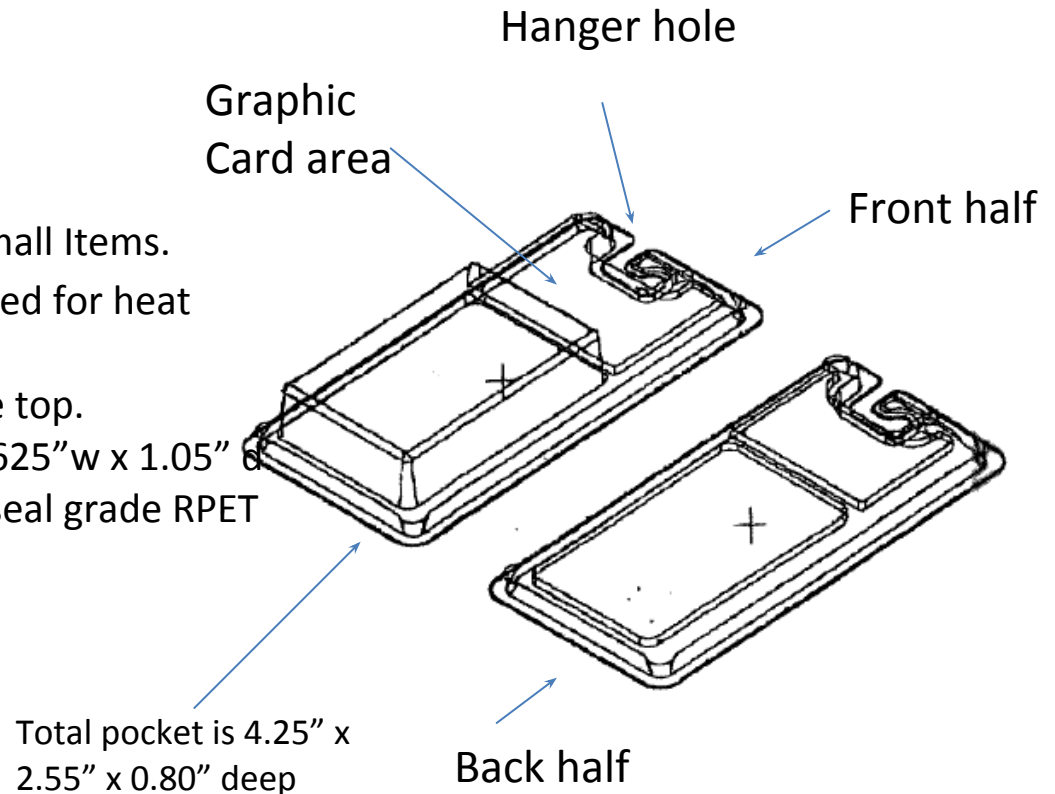
Generic Clamshell For Displaying Small Items.

- The two separate halves are intended for heat sealing together.
- There is an open hanger hole at the top.
- Overall dimensions are 7.45" L x 3.625" w x 1.05" h
- Suggested material is 0.015" thick seal grade RPET or PVC.

Suggested Pricing:

5,000 units \$ XXXX each

10,000 units \$ XXXX each



Pricing is subject to change, and must be confirmed at time of order.

Other quantities and material choices are available, such as clear food grade PET or clear PVC, as well as custom coloured materials.

Lead times are typically 3 -5 weeks, to be confirmed at time of order.

Prices are in Canadian funds, FOB our facility, all taxes and duties extra.

Footed Clamshell # 54728

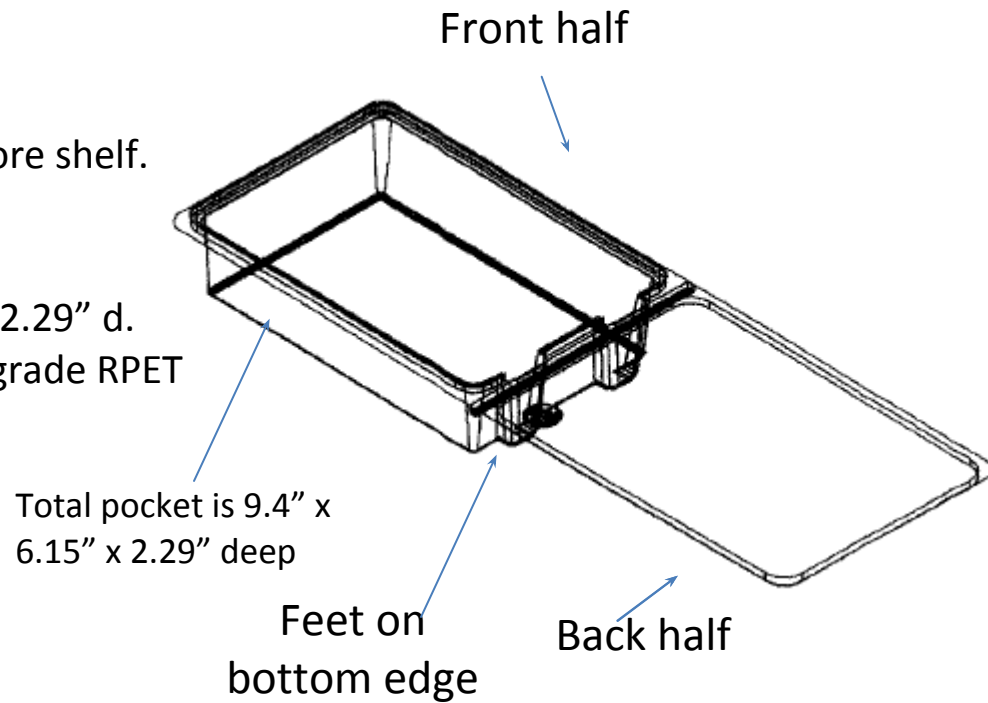
Clamshell with feet for standing on a store shelf.

- The two halves are hinged together.
- No hanger hole.
- Overall dimensions are 10" L x 7.20" w x 2.29" d.
- Suggested material is 0.020" thick seal grade RPET or PVC.

Suggested Pricing:

5,000 units \$ XXXX each
10,000 units \$ XXXX each

Pricing is subject to change, and must be confirmed at time of order.
Other quantities and material choices are available, such as clear food grade PET or clear PVC, as well as custom coloured materials.
Lead times are typically 3 -5 weeks, to be confirmed at time of order.
Prices are in Canadian funds, FOB our facility, all taxes and duties extra.



Clamshell # 54765

Generic Clamshell with hanger hole.

- The two halves are hinged together.
- Overall dimensions are 9.52”L x 5.25”w x 1.06” d.
- Suggested material is 0.0125” thick seal grade RPET or PVC.

Suggested Pricing:

5,000 units \$ XXXX each

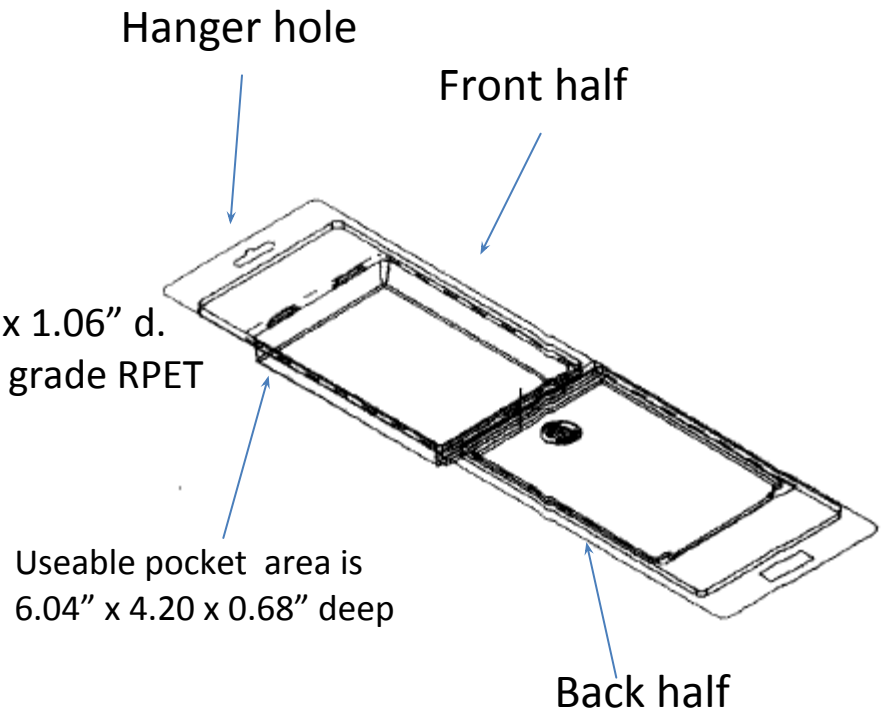
10,000 units \$ XXXX each

Pricing is subject to change, and must be confirmed at time of order.

Other quantities and material choices are available, such as clear food grade PET or clear PVC, as well as custom coloured materials.

Lead times are typically 3 -5 weeks, to be confirmed at time of order.

Prices are in Canadian funds, FOB our facility, all taxes and duties extra.



Shallow Clamshell # 54767

Very shallow Hinged Clamshell used for thin items such as a single trading card.

- Overall dimensions are 9.52" L x 5.25" w x 1.065" d.
- Suggested material is 0.0125" thick seal grade RPET or PVC.

Suggested Pricing:

5,000 units \$ XXXX each

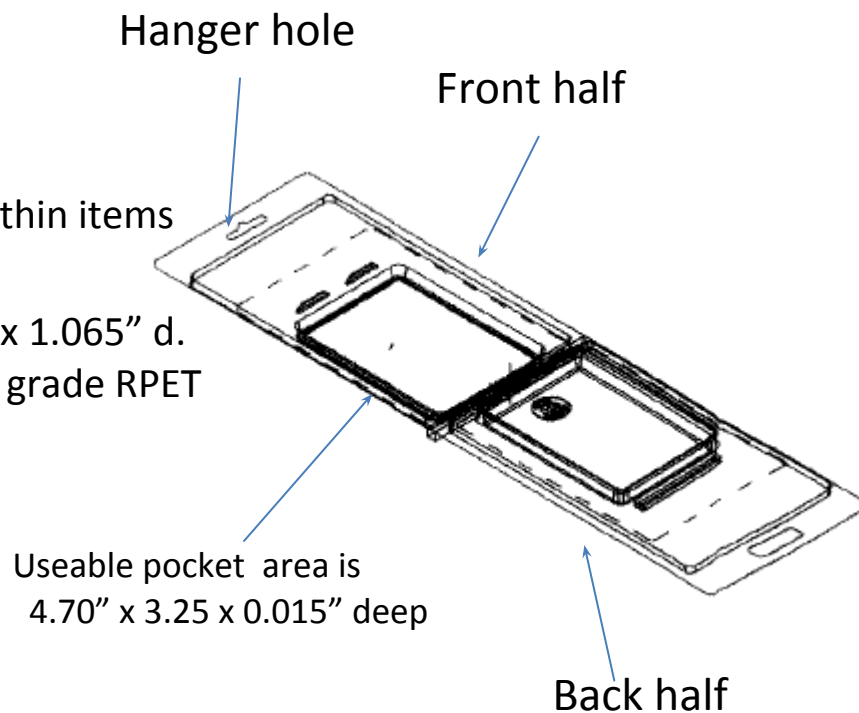
10,000 units \$ XXXX each

Pricing is subject to change, and must be confirmed at time of order.

Other quantities and material choices are available, such as clear food grade PET or clear PVC, as well as custom coloured materials.

Lead times are typically 3 -5 weeks, to be confirmed at time of order.

Prices are in Canadian funds, FOB our facility, all taxes and duties extra.



Shallow Clamshell # 54766

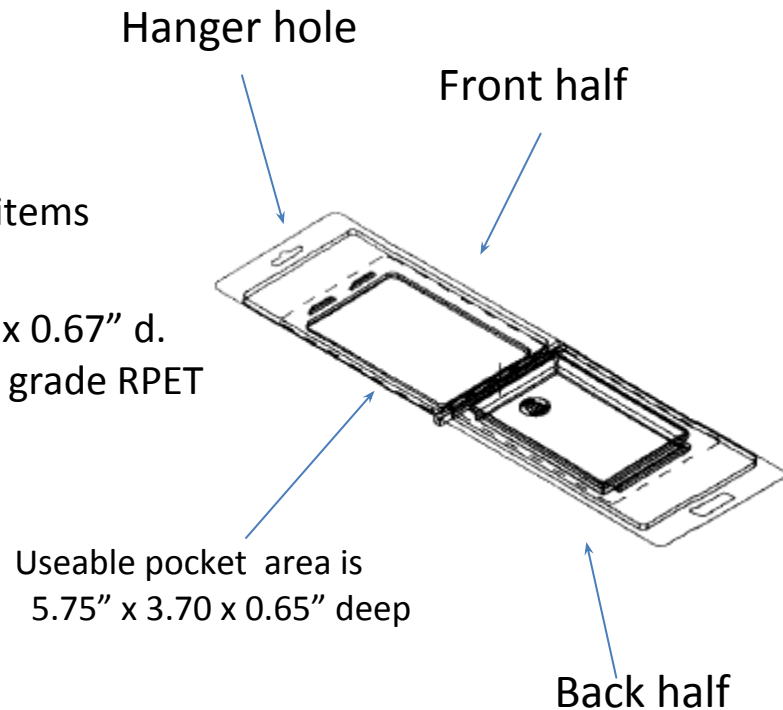
Shallow Hinged Clamshell used for thin items such as a group of trading cards.

- Overall dimensions are 9.52" L x 5.25" w x 0.67" d.
- Suggested material is 0.0125" thick seal grade RPET or PVC.

Suggested Pricing:

5,000 units \$ XXXX each
10,000 units \$ XXXX each

Pricing is subject to change, and must be confirmed at time of order. Other quantities and material choices are available, such as clear food grade PET or clear PVC, as well as custom coloured materials. Lead times are typically 3 -5 weeks, to be confirmed at time of order. Prices are in Canadian funds, FOB our facility, all taxes and duties extra.



Trading Card Giftpack Clamshell # 54755

Trading card gift Pack Clamshell with hanger hole.

- The two halves are hinged together.
- Overall dimensions are 8.61”L x 8.55”w x 2.39” d.
- Suggested material is 0.0125” thick seal grade RPET or PVC.

Suggested Pricing:

5,000 units \$ XXXX each

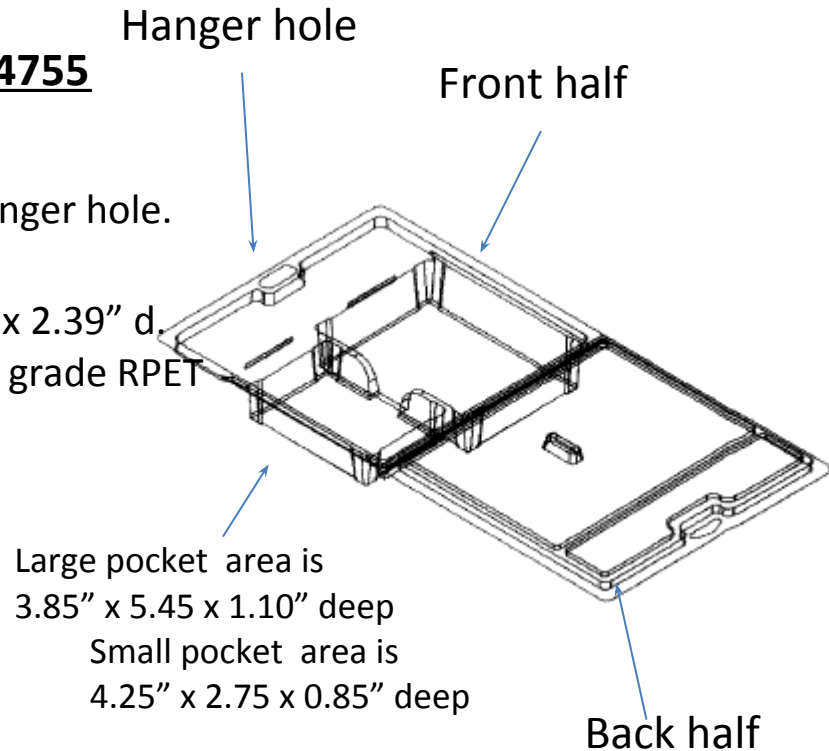
10,000 units \$ XXXX each

Pricing is subject to change, and must be confirmed at time of order.

Other quantities and material choices are available, such as clear food grade PET or clear PVC, as well as custom coloured materials.

Lead times are typically 3 -5 weeks, to be confirmed at time of order.

Prices are in Canadian funds, FOB our facility, all taxes and duties extra.



Trading Card Clamshell # 54866

Shallow Clamshell with hanger hole.

- The two halves are hinged together.
- Overall dimensions are 6.75" L x 4.0" w x 0.25" d.
- Suggested material is 0.010" thick seal grade RPET or PVC.

Suggested Pricing:

5,000 units \$ XXXX each

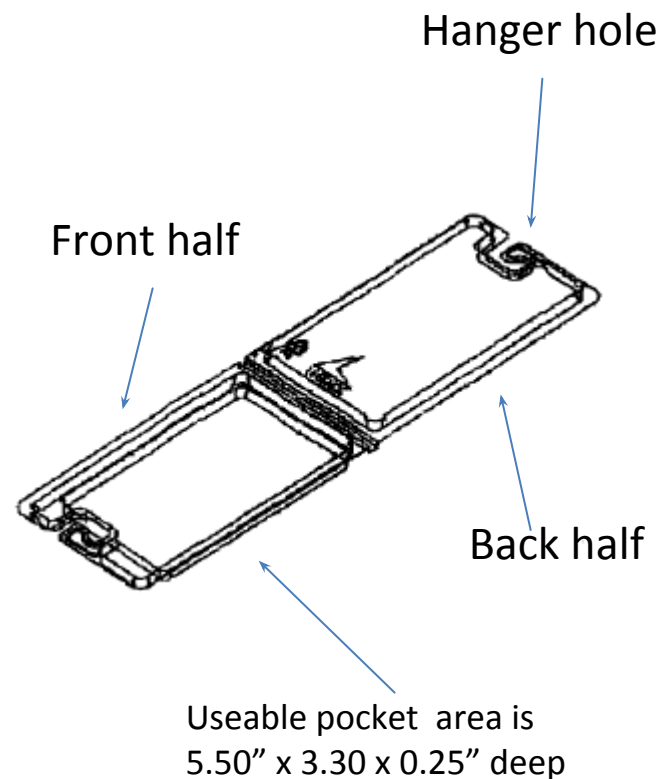
10,000 units \$ XXXX each

Pricing is subject to change, and must be confirmed at time of order.

Other quantities and material choices are available, such as clear food grade PET or clear PVC, as well as custom coloured materials.

Lead times are typically 3 -5 weeks, to be confirmed at time of order.

Prices are in Canadian funds, FOB our facility, all taxes and duties extra.



324 ml Laundry Scoop # 55058

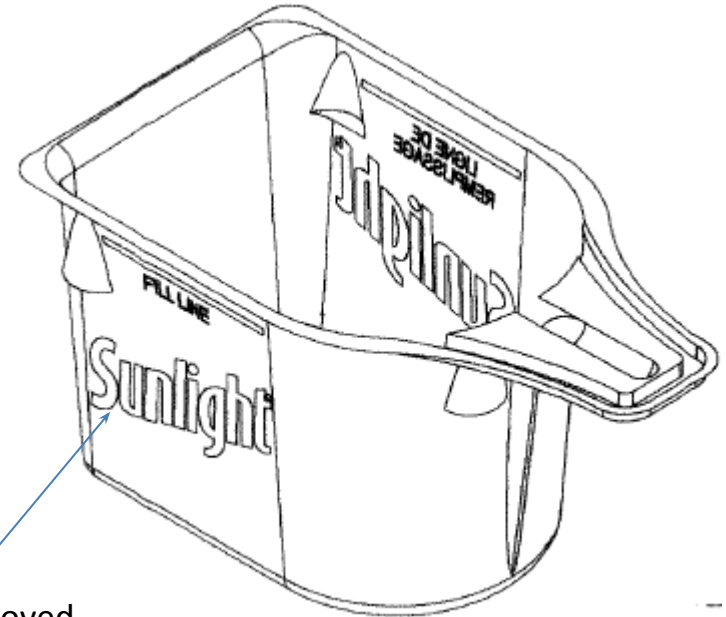
Suitable for most dry powders or liquids

- Sturdy hand grip.
- Overall dimensions are 5.56" L x 3.0" w x 2.67" d.
- Suggested material is 0.035" thick clear RPET.

Suggested Pricing:

5,000 units \$ XXXX each

10,000 units \$ XXXX each



Logo will be removed

Pricing is subject to change, and must be confirmed at time of order.

Other quantities and material choices are available, such as clear food grade PET or clear PVC, as well as custom coloured materials.

Lead times are typically 3 -5 weeks, to be confirmed at time of order.

Prices are in Canadian funds, FOB our facility, all taxes and duties extra.

6 Pack Trading Card Clamshell # 54704

Trading card gift Pack Clamshell with hanger hole.

- Two halves separate (no hinge).
- Overall dimensions are 12.375" L x 9.69" w x 1.16" d.

d.

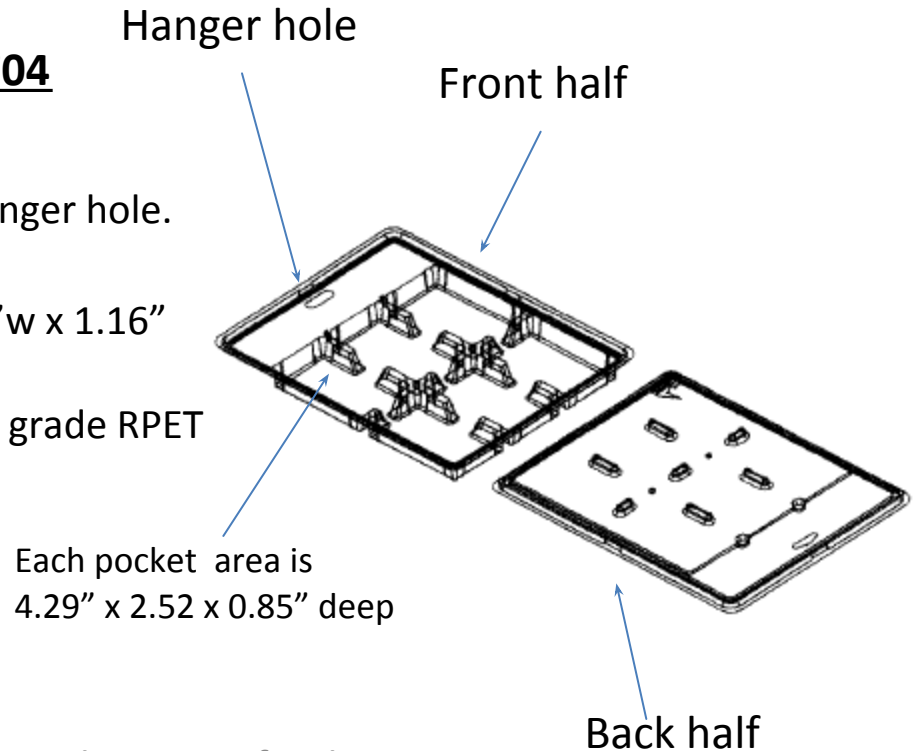
- Suggested material is 0.0125" thick seal grade RPET or PVC.

Suggested Pricing:

5,000 units \$ XXXX each

10,000 units \$ XXXX each

Pricing is subject to change, and must be confirmed at time of order. Other quantities and material choices are available, such as clear food grade PET or clear PVC, as well as custom coloured materials. Lead times are typically 3 -5 weeks, to be confirmed at time of order. Prices are in Canadian funds, FOB our facility, all taxes and duties extra.



18 Pack AA Battery Blister # 54892

Holds 18 "AA" batteries

- Backer card not included.
- Overall dimensions are 7.20" L x 3.80" w x 1.07" d.
- Suggested material is 0.015" thick clear RPET or

PVC.

Suggested Pricing in PVC:

5,000 units \$ 0.218 each

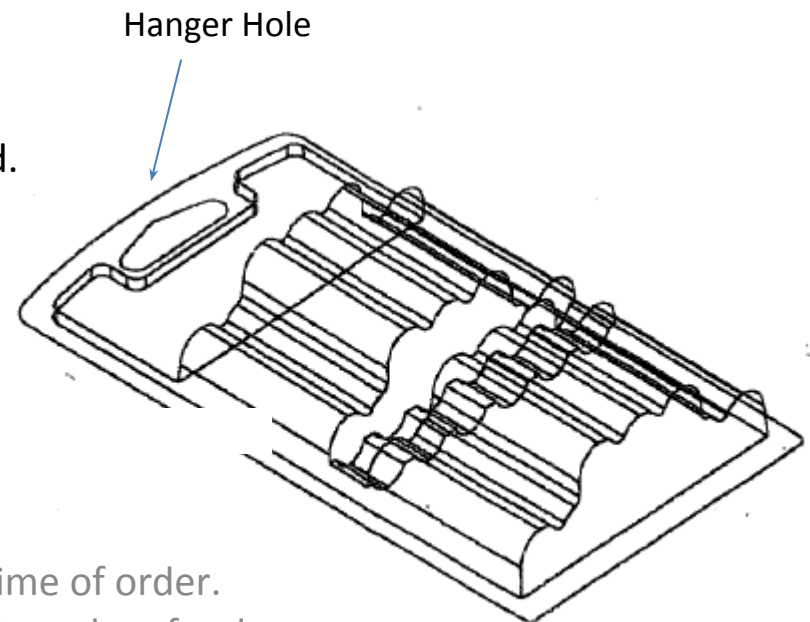
10,000 units \$ 0.15 each

Pricing is subject to change, and must be confirmed at time of order.

Other quantities and material choices are available, such as clear food grade PET or clear PVC, as well as custom coloured materials.

Lead times are typically 3 -5 weeks, to be confirmed at time of order.

Prices are in Canadian funds, FOB our facility, all taxes and duties extra.



Hinged Clamshell # 54898

Shallow Clamshell with hanger hole.

- The two halves are hinged together.
- Overall dimensions are 10.50"L x 4.875"w x 1.025"

d.

- Suggested material is 0.015" thick clear PVC or sealable RPET.

Suggested Pricing in PVC:

5,000 units \$ 0.554 each

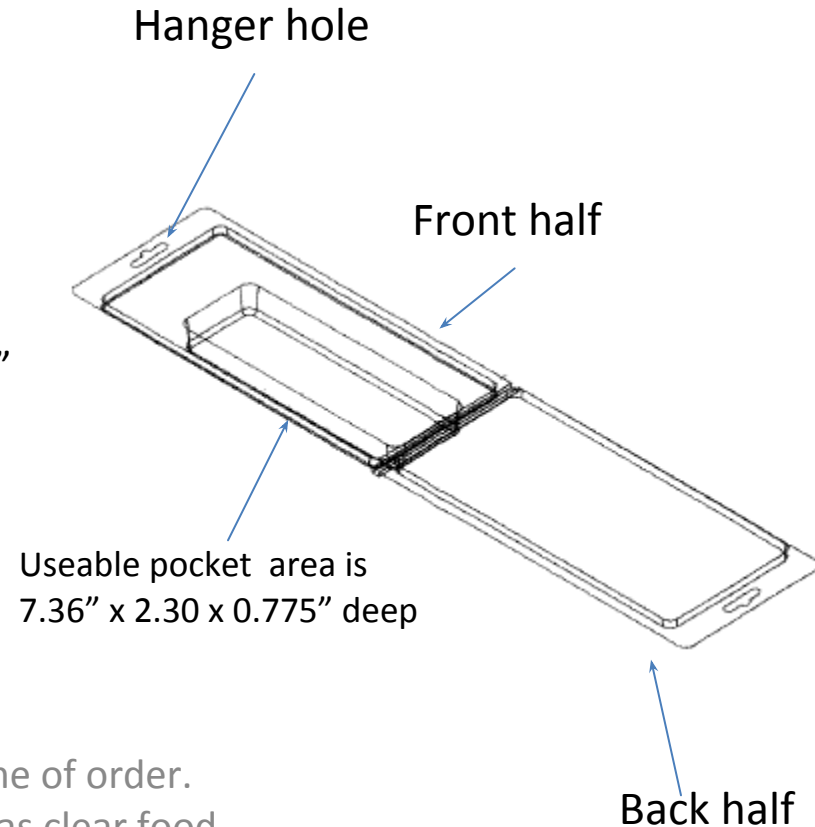
10,000 units \$ 0.486 each

Pricing is subject to change, and must be confirmed at time of order.

Other quantities and material choices are available, such as clear food grade PET or clear PVC, as well as custom coloured materials.

Lead times are typically 3 -5 weeks, to be confirmed at time of order.

Prices are in Canadian funds, FOB our facility, all taxes and duties extra.



Shallow 2 Pocket Clamshell # 54702

Trading card gift Pack Clamshell with hanger hole.

- The two halves are hinged together.
- Overall dimensions are 6.50”L x 6.50”w x 0.89” d.
- Suggested material is 0.0125” thick seal grade RPET or PVC.

Suggested Pricing:

5,000 units \$ XXXX each

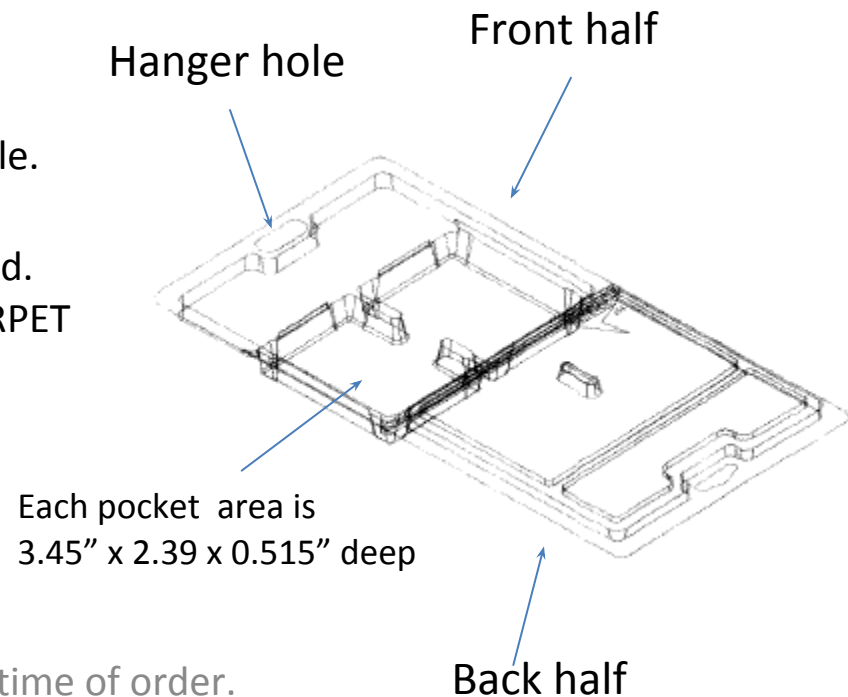
10,000 units \$ XXXX each

Pricing is subject to change, and must be confirmed at time of order.

Other quantities and material choices are available, such as clear food grade PET or clear PVC, as well as custom coloured materials.

Lead times are typically 3 -5 weeks, to be confirmed at time of order.

Prices are in Canadian funds, FOB our facility, all taxes and duties extra.



3 Pack Trading Card Clamshell # 54703

Trading card gift Pack Clamshell with hanger hole.

- Two halves separate (no hinge).
- Overall dimensions are 7.625" L x 9.69" w x 1.16" d.
- Suggested material is 0.0125" thick seal grade RPET or PVC.

Suggested Pricing:

5,000 units \$ XXXX each

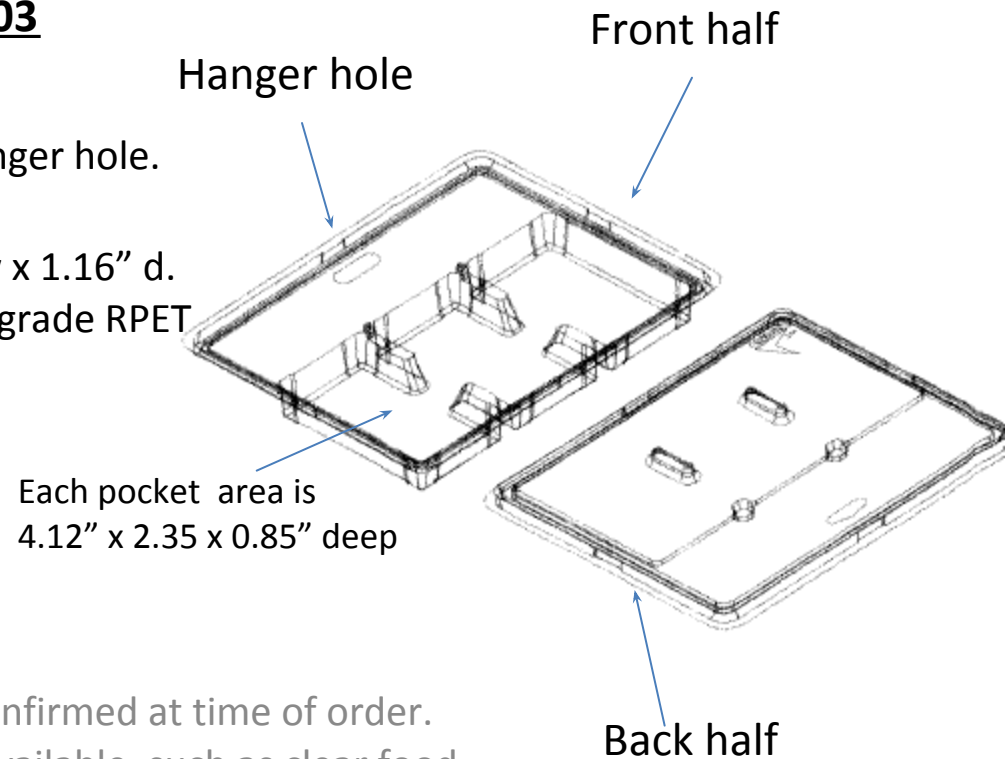
10,000 units \$ XXXX each

Pricing is subject to change, and must be confirmed at time of order.

Other quantities and material choices are available, such as clear food grade PET or clear PVC, as well as custom coloured materials.

Lead times are typically 3 -5 weeks, to be confirmed at time of order.

Prices are in Canadian funds, FOB our facility, all taxes and duties extra.



3 CD Holder # 54853

Intended to be RF welded to the inside of a PVC binder.

- Two halves are currently shipped as one unit.
- Dotted line represents intended weld line
- Units could be trimmed separately for other uses
- Overall part dimensions are 10.5”L x 15.75”w x 0.925”

d.

- Overall trimmed flange dimensions are 11.25” x16.5”
- Suggested material is 0.02” thick PVC, or could also be formed in coloured styrenes (HIPS).

Suggested Pricing:

5,000 units \$ XXXX each

10,000 units \$ XXXX each

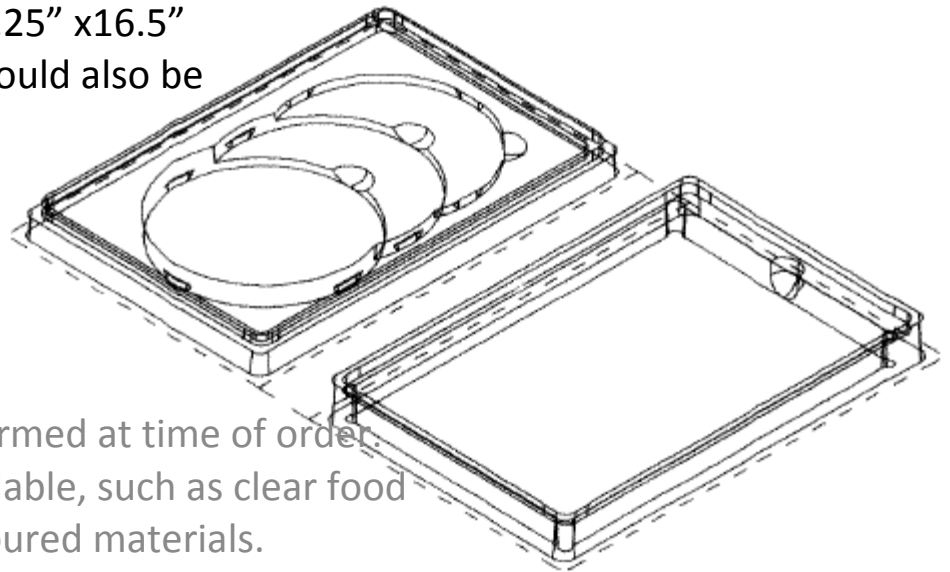
Pricing is subject to change, and must be confirmed at time of order.

Other quantities and material choices are available, such as clear food grade PET or clear PVC, as well as custom coloured materials.

Lead times are typically 3 -5 weeks, to be confirmed at time of order.

Prices are in Canadian funds, FOB our facility, all taxes and duties extra.

**ALSO AVAILABLE IN A
2 CD FORMAT (# 54852)**



12 Pack AA Battery Blister # 54865

Holds 12 “AA” batteries

- Backer card not included.
- Overall dimensions are 7.20”L x 3.80”w x 0.587” d.
- Suggested material is 0.015” thick clear PVC or

RPET

Suggested Pricing for PVC:

5,000 units \$ 0.218 each

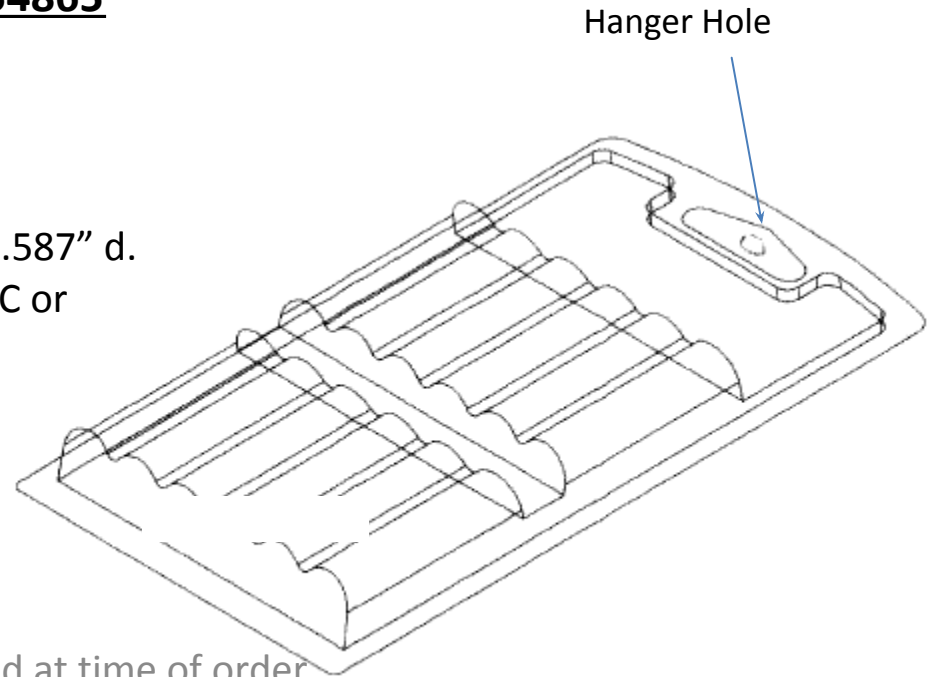
10,000 units \$ 0.15 each

Pricing is subject to change, and must be confirmed at time of order.

Other quantities and material choices are available, such as RPET, clear food grade PET as well as custom coloured materials.

Lead times are typically 3 -5 weeks, to be confirmed at time of order.

Prices are in Canadian funds, FOB our facility, all taxes and duties extra.



6 Pack AA Battery Blister # 54826

Holds 6 "AA" batteries with a literature panel

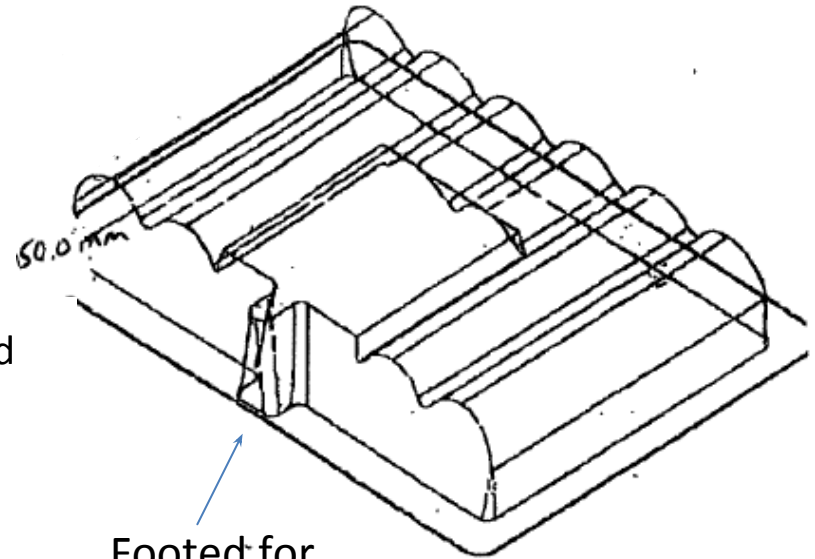
- Backer card not included.
- Overall dimensions are 2.75" L x 3.76" w x 0.587" d
- Suggested material is 0.015" thick clear RPET or PVC.

Suggested Pricing in PVC:

5,000 units \$ 0.212 each

10,000 units \$ 0.127 each

Pricing is subject to change, and must be confirmed at time of order. Other quantities and material choices are available, such as clear food grade PET or clear PVC, as well as custom coloured materials. Lead times are typically 3 -5 weeks, to be confirmed at time of order. Prices are in Canadian funds, FOB our facility, all taxes and duties extra.



Footed for
counter display

6 Pack AAA Battery Blister # 54827

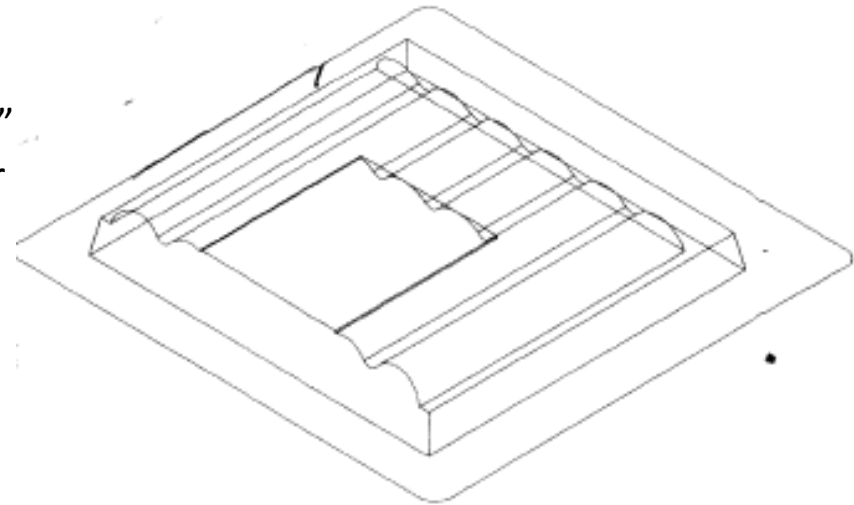
Holds 6 “AAA” batteries with a literature panel

- Backer card not included.
- Overall dimensions are 3.50”L x 3.30”w x 0.415”
- Suggested material is 0.010” thick clear RPET or PVC.

Suggested Pricing in PVC:

5,000 units \$ 0.211 each

10,000 units \$ 0.125 each



Pricing is subject to change, and must be confirmed at time of order.

Other quantities and material choices are available, such as clear food grade PET or clear PVC, as well as custom coloured materials.

Lead times are typically 3 -5 weeks, to be confirmed at time of order.

Prices are in Canadian funds, FOB our facility, all taxes and duties extra.

8+4 Pack AA Battery Blister # 54828

Holds a total of 12 “AA” batteries in 2 compartments

- Backer card not included.
- Overall dimensions are 7.56”L x 4.13”w x 0.56” d.
- Suggested material is 0.015” thick clear RPET or PVC.

Suggested Pricing in PVC:

5,000 units \$ 0.221 each

10,000 units \$ 0.153 each

Pricing is subject to change, and must be confirmed at time of order.
Other quantities and material choices are available, such as clear food grade PET or clear PVC, as well as custom coloured materials.
Lead times are typically 3 -5 weeks, to be confirmed at time of order.
Prices are in Canadian funds, FOB our facility, all taxes and duties extra.

